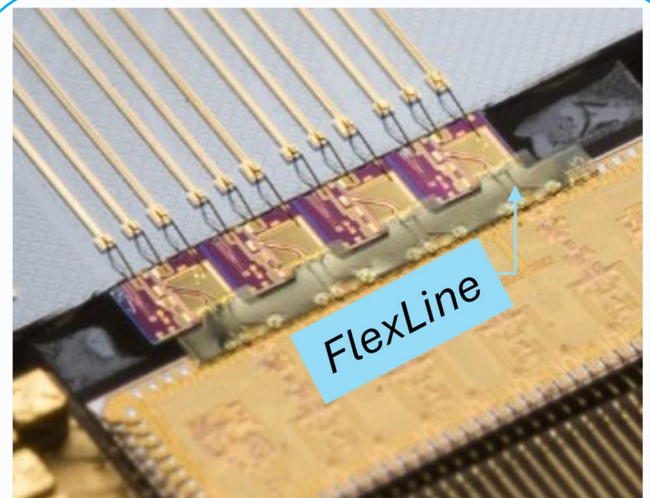


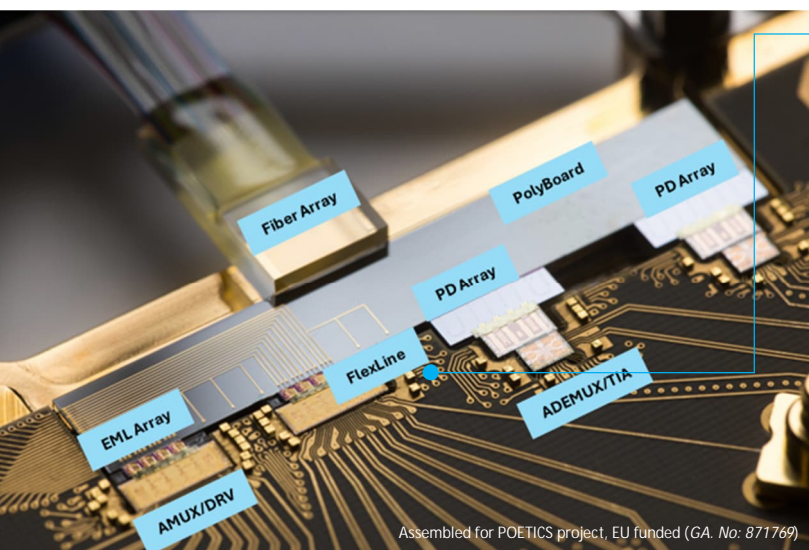
SPRINTER Project

Hybrid Integrated Photonics for High-Speed Industrial Connectivity

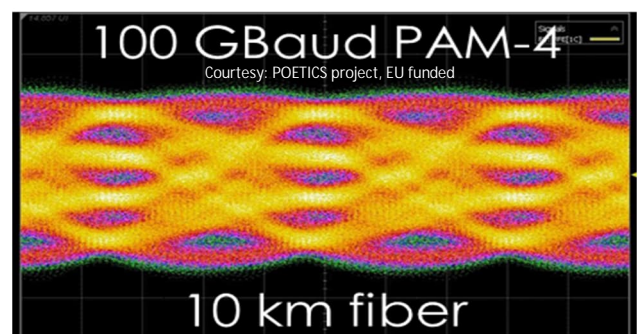
- State-of-the-art *FlexLine* technology (Developed by Fraunhofer HHI)
- High-capacity 200 Gb/s connectivity
- State-of-the-art hybrid integration of photonics and electronics at PHIX Photonics Assembly



- Ultra-fast >100 Gb/s optical transceivers
- Photonics-enabled transceivers for reliable indoor and outdoor wireless connectivity



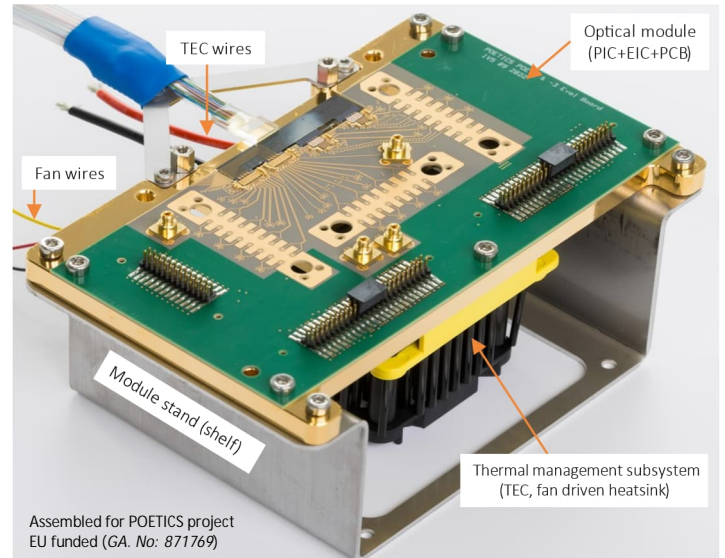
Assembled for POETICS project, EU funded (GA. No: 871769)



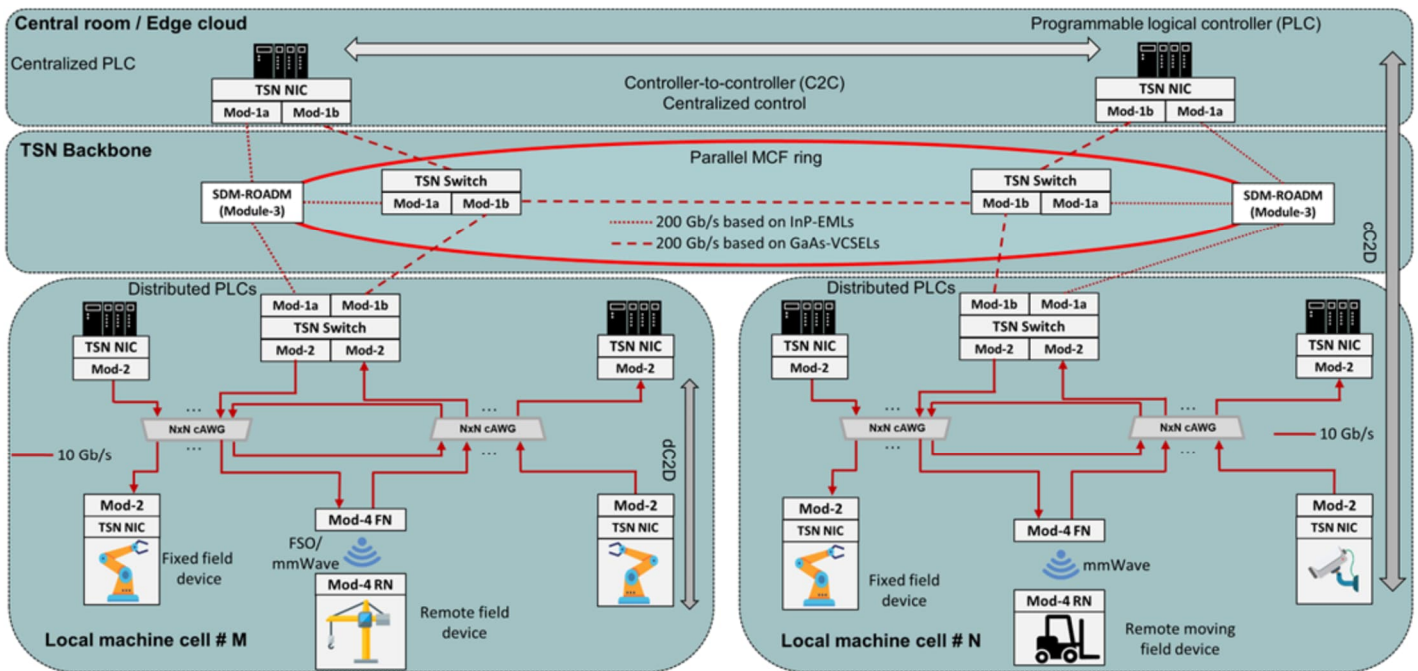
Advanced Hybrid Packaging

Photonics Enabled Terabit Optical Engines

- Hybrid PICs for 1.6 Tb/s optical transceiver module
- 8-ch Tx/Rx (200 Gb/s per channel)
- RF FlexLine technology
- Co-integration of electronics and photonics in a single package



Assembled for POETICS project
 EU funded (GA. No: 871769)



Sprinter architecture for emerging PIC technologies as enabler to develop a complete solution tailored to the diverse needs of industrial networks

Follow us at www.phix.com to learn more about our research projects on hybrid PIC packaging for optical communications.



Funded by
 the European Union

